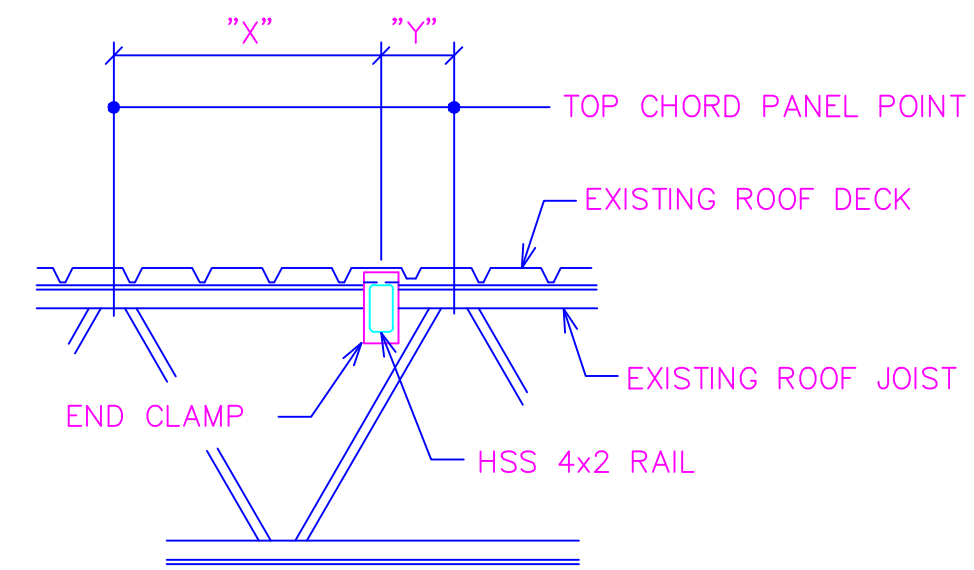
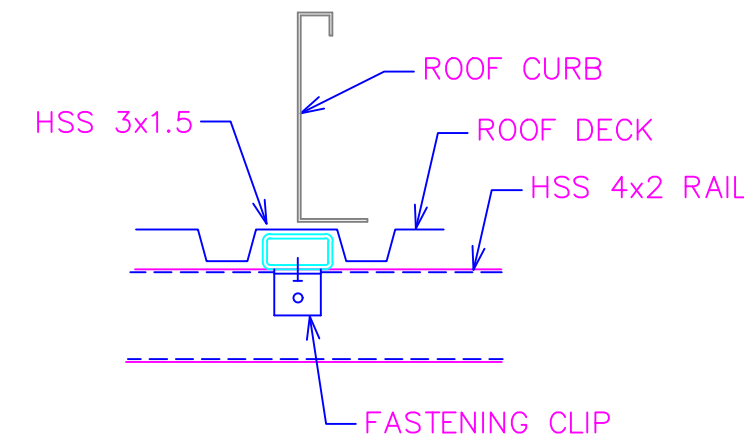


SECTION 1



NOTE: HSS 4x2 RAILS SHALL BE POSITIONED SO THAT EITHER DIMENSION "X" OR "Y" IS LESS THAN OR EQUAL TO 6 INCHES. WHERE SUCH AN ARRANGEMENT IS NOT POSSIBLE, REFER TO FRAMING PLAN "D"

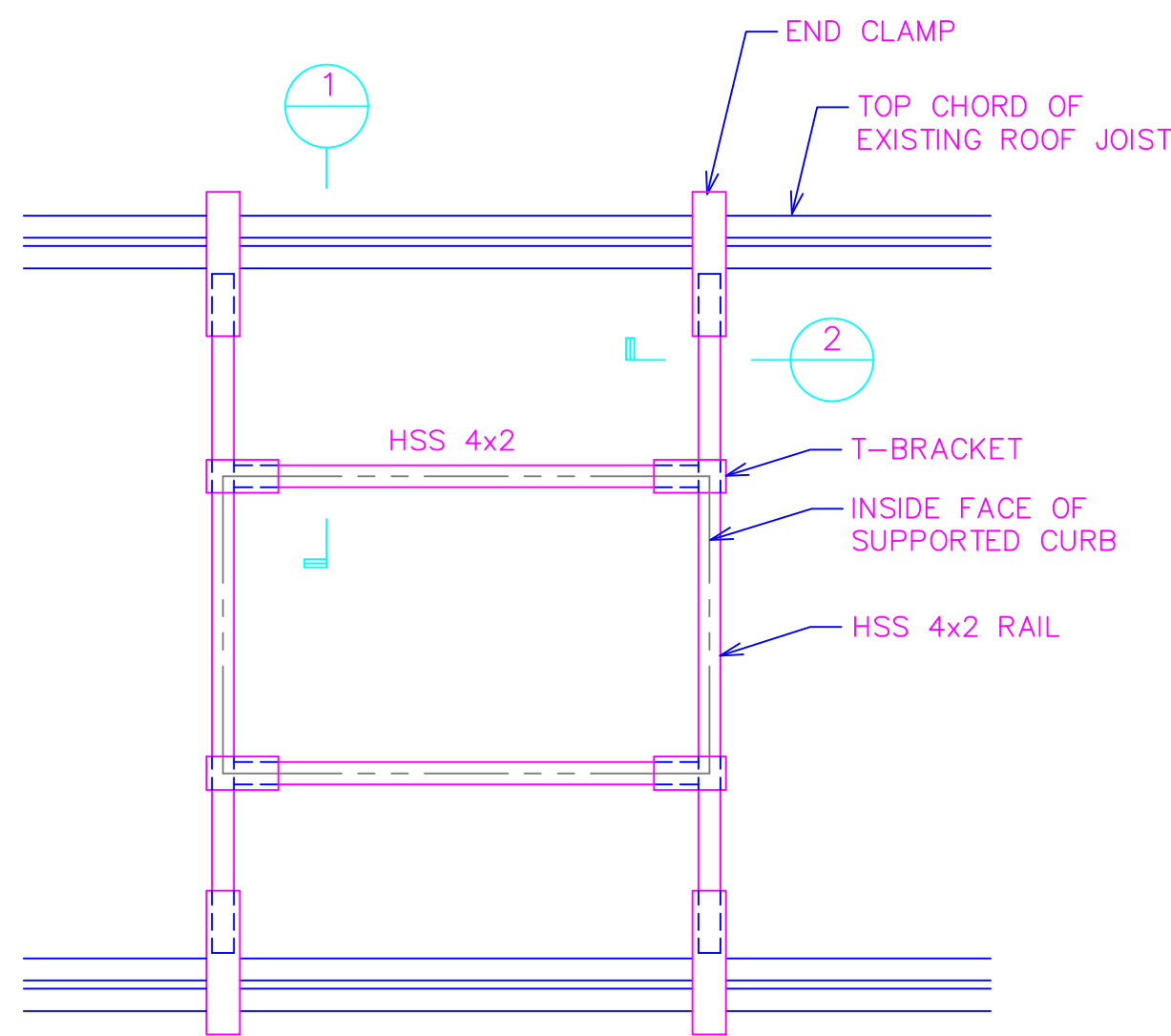
SECTION 2



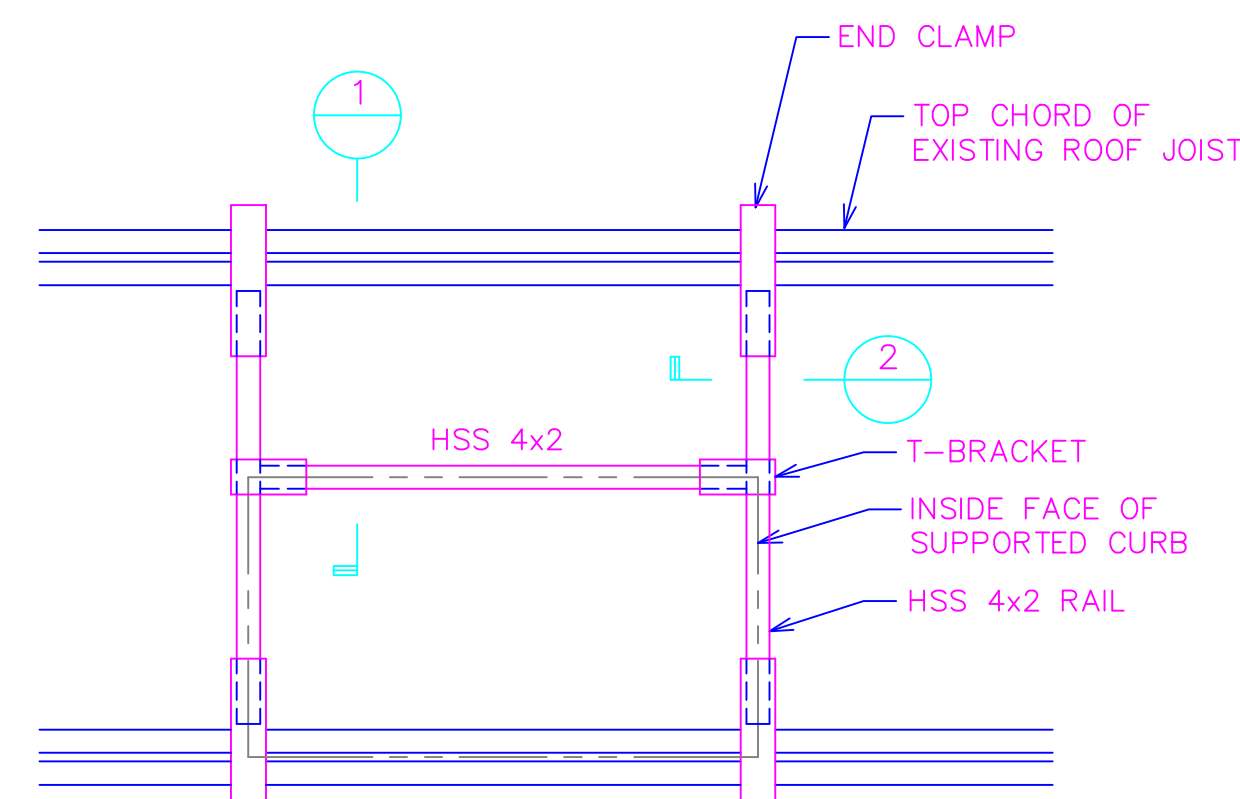
SECTION 3

ROOF CURB FRAMING NOTES:

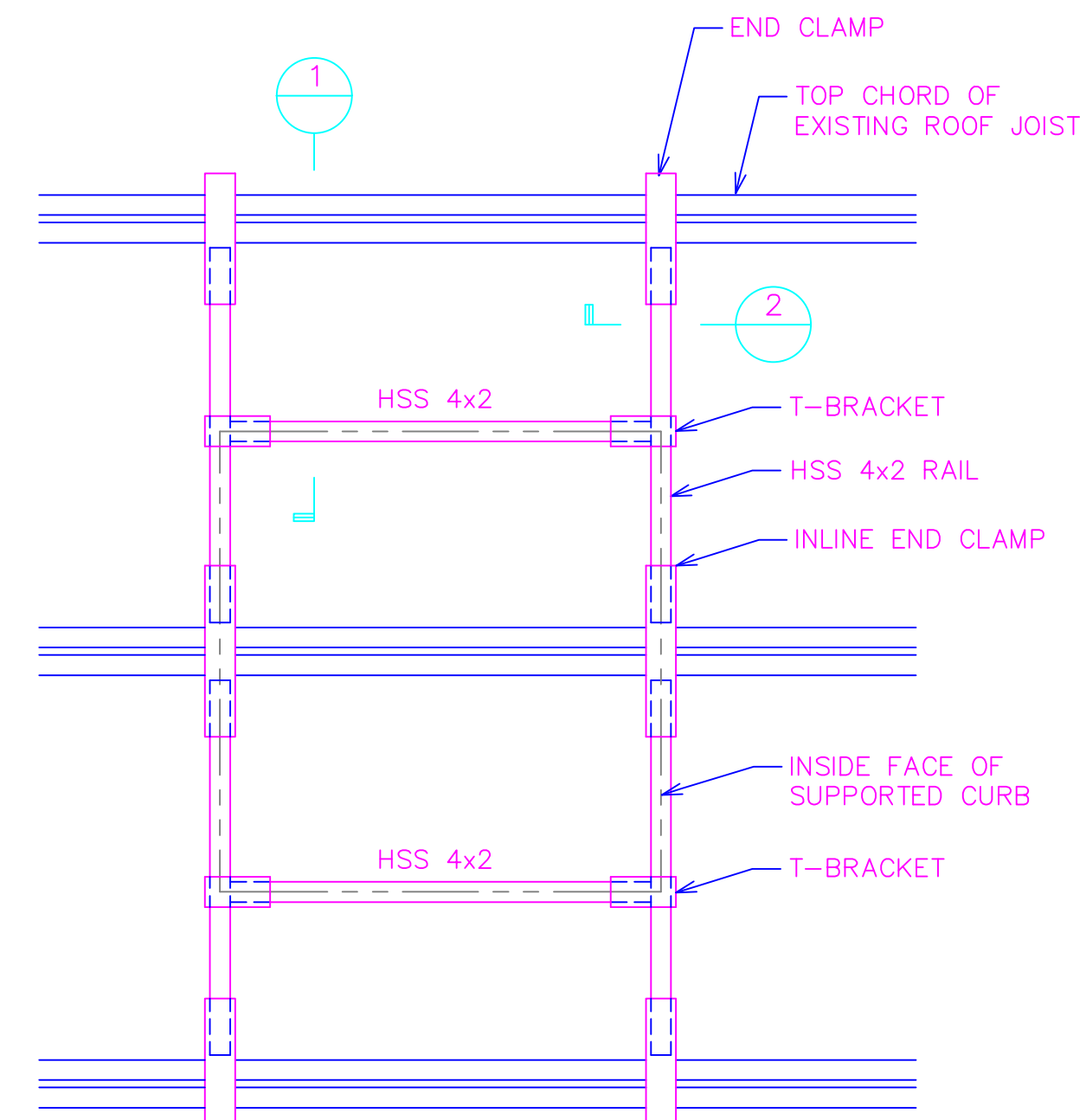
JOIST GRIP FRAMING CLAMP SYSTEM SHOWN IS MANUFACTURED AND SOLD BY CHICAGO CLAMP CO., BROADVIEW, ILLINOIS; PHONE 708-343-8311
REFER TO THE CHICAGO CLAMP PRODUCT BROCHURE FOR COMPONENT CAPACITIES, INSTALLATION GUIDELINES AND ADDITIONAL INFORMATION.



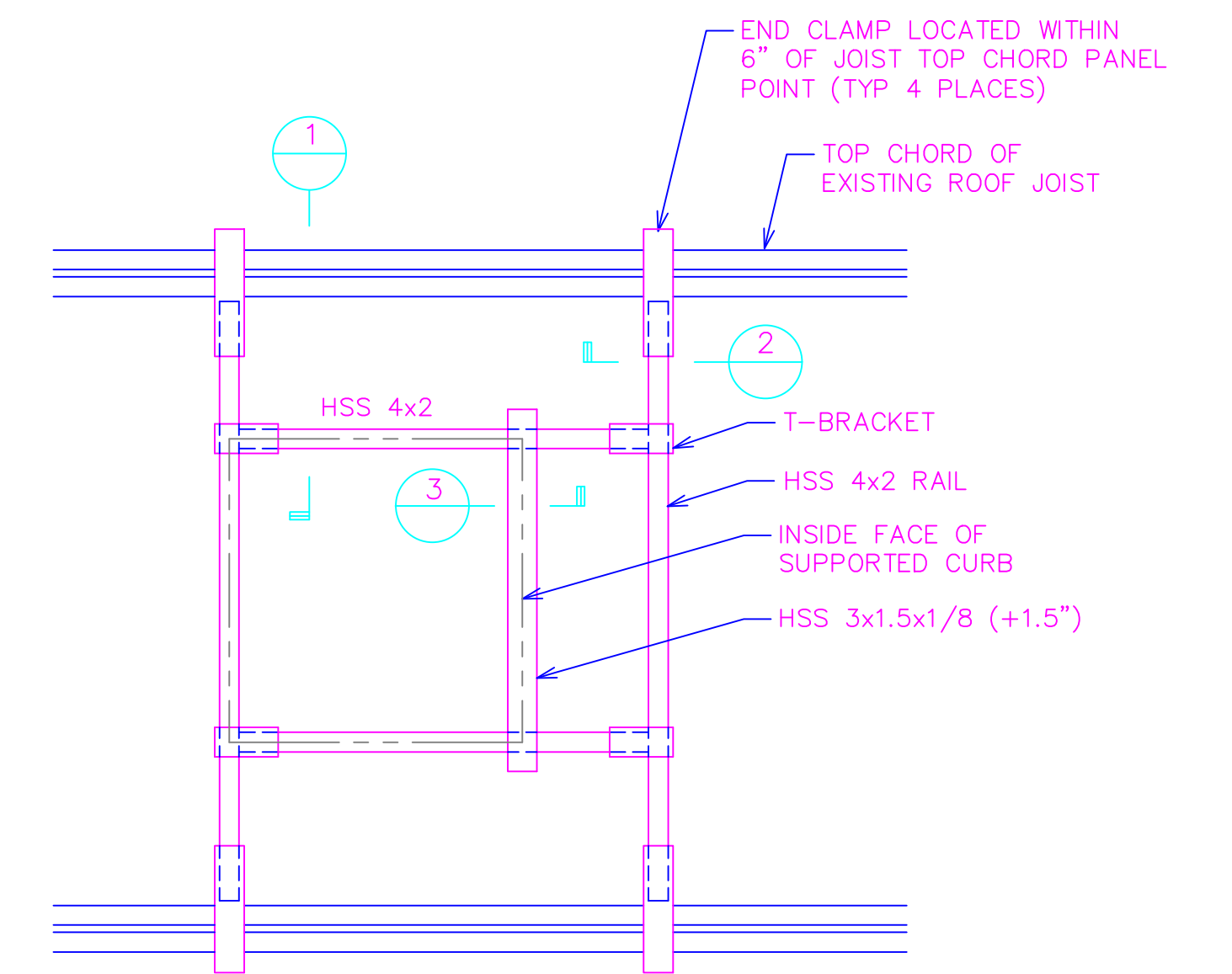
ROOF CURB FRAMING PLAN A
TOP OF STEEL = TOP OF JOISTS



ROOF CURB FRAMING PLAN B
TOP OF STEEL = TOP OF JOISTS



ROOF CURB FRAMING PLAN C
TOP OF STEEL = TOP OF JOISTS



ROOF CURB FRAMING PLAN D
TOP OF STEEL = TOP OF JOISTS UNLESS NOTED