

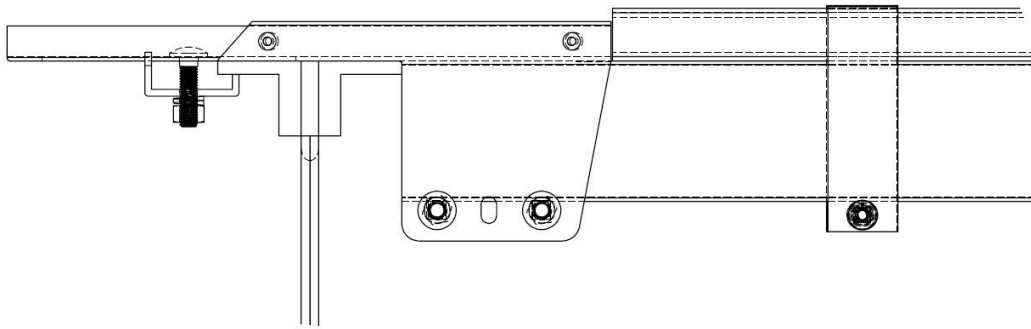
Main Tube Strap Installation Instructions



Meticulously Engineered. Rigorously Tested.
CHICAGO CLAMP CO
www.chicagoclampcompany.com

FOR USE WHEN ADDITIONAL SUPPORT IS NEEDED ALONG THE MAIN TUBE POCKET

Supplemental instructions for the installation of Main Tube Straps as needed for additional support. Review and follow all warnings and notes specified in Tube Framing Clamp System Installation Guide.



Follow these instructions after Step 4 of the Tube Framing Clamp System Installation Guide.

4a

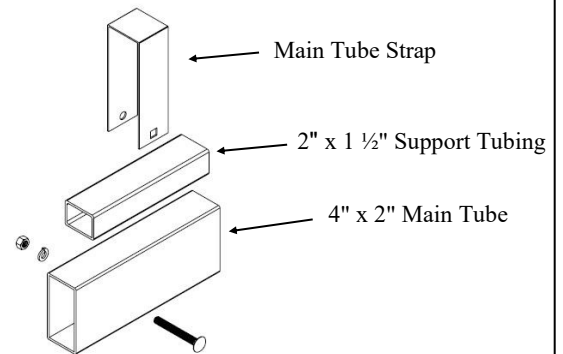


Measure the distance "M" inside joist angles as shown. Take measurement "M" and subtract 14". Cut Support Tubing (2" x 1 1/2" Tube) to this length.

M - 14" = Max length of Support Tubing

This represents the maximum length for the Support Tubing to fit within the end clamps. It may be cut to a shorter length as desired.

4b



Align the 1 1/2" H Support Tube on top of the Main Tube. Then place the Main Tube Strap(s) over the top of the Support Tube and Main Tube. Then tighten in place with the 3/8" carriage bolt, lock washer and hex nut.

Continue with Tube Framing Clamp System Installation Guide Step 5.