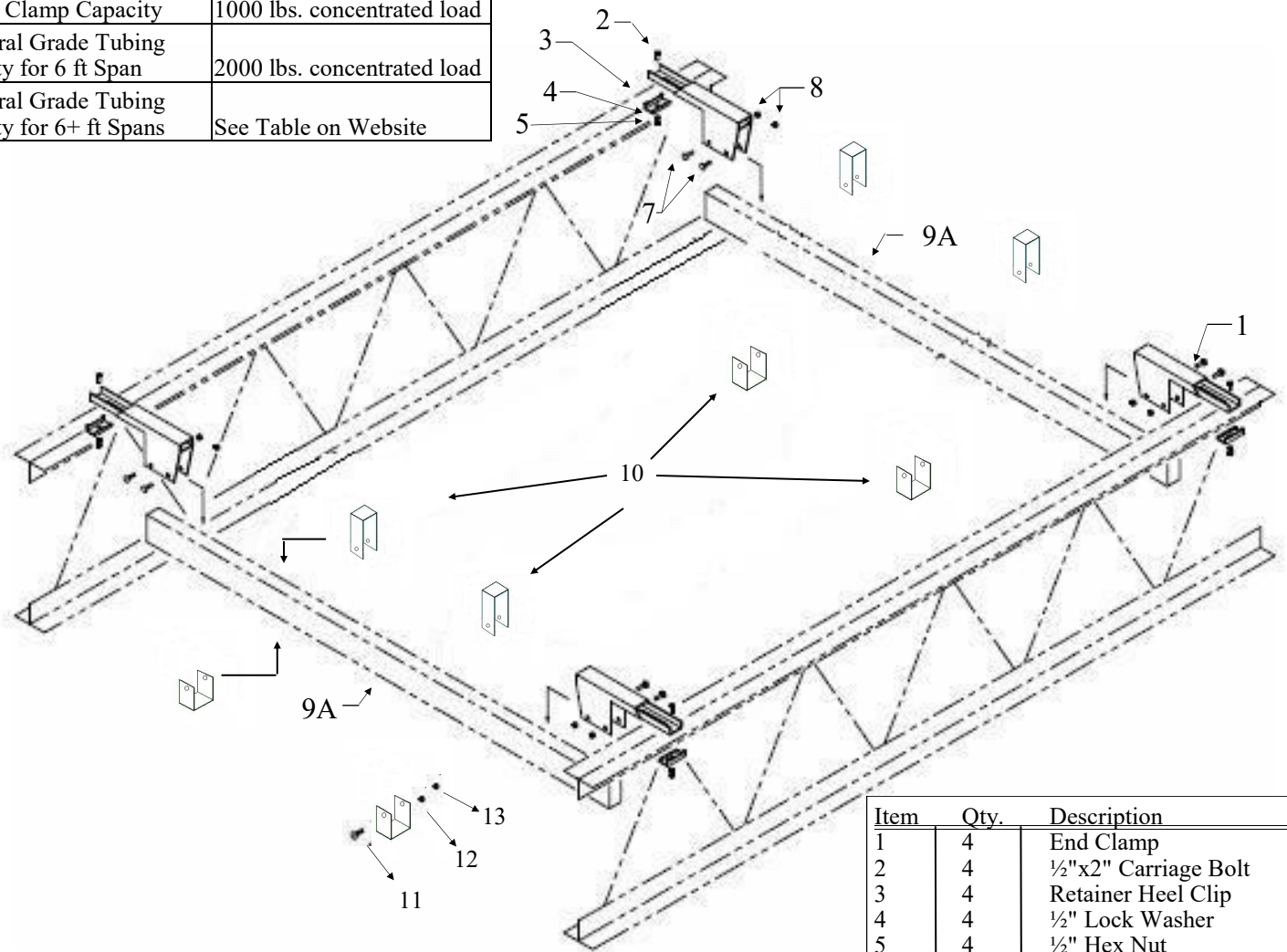




Hanger Clamp System Installation Guide

For use with Joists and Corrugated Roofs

Jaw Clamp Capacity	1000 lbs. load
Hanger Clamp Capacity	1000 lbs. concentrated load
Structural Grade Tubing Capacity for 6 ft Span	2000 lbs. concentrated load
Structural Grade Tubing Capacity for 6+ ft Spans	See Table on Website



Item	Qty.	Description
1	4	End Clamp
2	4	½"x2" Carriage Bolt
3	4	Retainer Heel Clip
4	4	½" Lock Washer
5	4	½" Hex Nut
6	4	T-Bracket Clamp
7	8	½"x3" Bolt Grade 5 (yellow)
8	8	½" Locknut
9A	2	Tube – Main
10	4	Hanger Clamp
11	4	⅜"x3-¼" Hex Bolt
12	4	⅜" Lockwasher
13	4	⅜" Hex Nut

WARNING:

Any modification to or additional loading of a joist must be reviewed by a structural engineer. Each Chicago Clamp System® application must be selected under the direction of a structural engineer. Chicago Clamp Systems® do NOT increase the load capacity of any structure. Chicago Clamp Company takes no responsibility for the load capacity of any existing structure.



Meticulously Engineered. Rigorously Tested.
CHICAGO CLAMP CO
www.chicagoclampcompany.com